

CARPEX

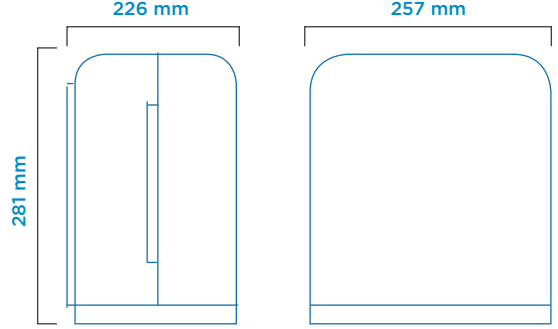
THE POWER of PERFECTION

PRESTIGE SERİSİ

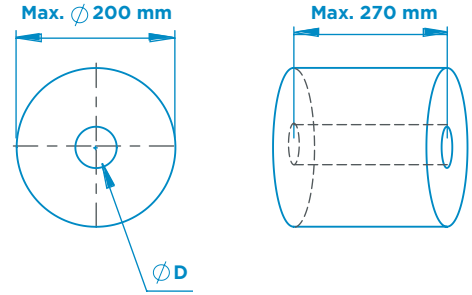
CENTERFEED TOWEL DISPENSER



Dimensions



Roll Paper Dimensions



Type	Centerfeed
Item No	910308
Colour	White
Plastic Material	ABS
Mounting Type	Wall mount
Packaging Dimensions (mm)	260 (l) x 229 (w) x 287 (h)
Gross Weight (kg)	2,00
Net Weight (kg)	1,77
Features	With Funnel or Without Funnel
Roll Dimensions (mm)	200 (outer diameter)
Case Quantity (pcs.)	1

**ALWAYS CLEAN.
ALWAYS FRESH.**

Netpak Elektronik Plastik Kozmetik Sanayi ve Ticaret Limited Şirketi
Atatürk Organize Sanayi Bölgesi Mahallesi 10044 Sokak No: 12 35620 Çiğli / İzmir
t. +90 232 461 41 17 / +90 216 593 14 20 / f. +90 232 461 52 73
carpex.com.tr