

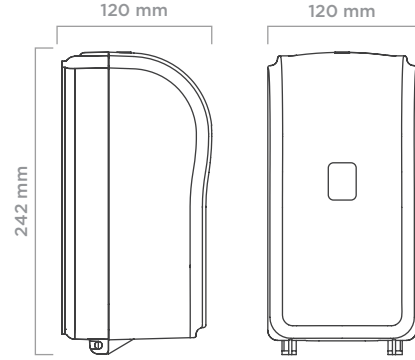
# CARPEX

optima line

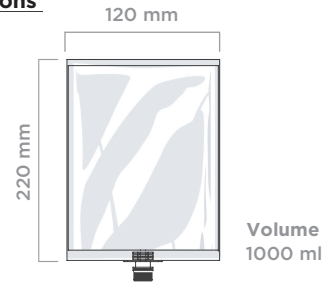
## touchless soap dispenser (cartridge)



### dimensions



### cartridge dimensions



Type	Touchless (cartridge)
Item No	930615 (foam pump)   930616 (liquid pump)
Colour	White or Black
Plastic Material	ABS
Mounting Type	Wall mount
Packaging Dimensions (mm)	135 (l) x 135 (w) x 245 (h)
Gross Weight (kg)	1,2
Net Weight (kg)	1,0
Features	Low battery warning
Dispensing amount (ml)	0,20 (foam pump)   0,85 (liquid pump)
Cartridge Volume (ml)	1000
Power Supply	Alkaline LR6 AA Size Batteries (4 pcs.)
Battery Life	Up to 15.000 services with 1 set of alkaline batteries
Case Quantity (pcs.)	1

always **clean**  
always **fresh**

**Netpak** Elektronik Plastik Kozmetik Sanayi ve Ticaret Limited Şirketi  
Atatürk Organize Sanayi Bölgesi Mahallesi 10044 Sokak No: 12 35620 Çiğli / İzmir  
t. +90 232 461 41 17 / +90 216 593 14 20 / f. +90 232 461 52 73  
[carpex.com.tr](http://carpex.com.tr)