

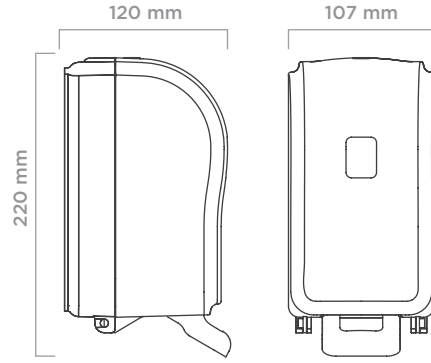
CARPEX

optima line

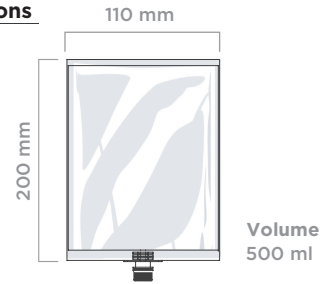
mini manual soap dispenser (cartridge)



dimensions



cartridge dimensions



Type	Manual (cartridge)
Item No	930601 (foam pump) 930602 (liquid pump)
Colour	White or Black
Plastic Material	ABS
Mounting Type	Wall mount
Packaging Dimensions (mm)	125 (l) x 115 (w) x 210 (h)
Gross Weight (kg)	0,45
Net Weight (kg)	0,35
Dispensing amount (ml)	0,40 (foam pump) 1,25 (liquid pump)
Cartridge Volume (ml)	500
Case Quantity (pcs.)	1

always **clean**
always **fresh**

Netpak Elektronik Plastik Kozmetik Sanayi ve Ticaret Limited Şirketi
Atatürk Organize Sanayi Bölgesi Mahallesi 10044 Sokak No: 12 35620 Çiğli / İzmir
t. +90 232 461 41 17 / +90 216 593 14 20 / f. +90 232 461 52 73
carpex.com.tr