

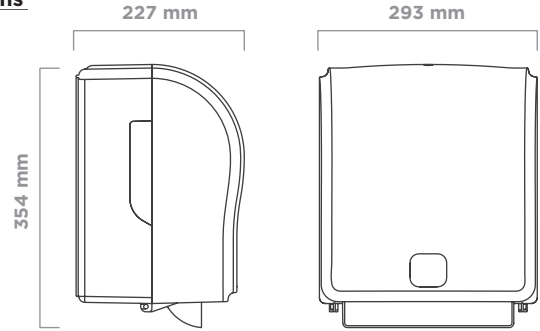
C A R P E X

optima line

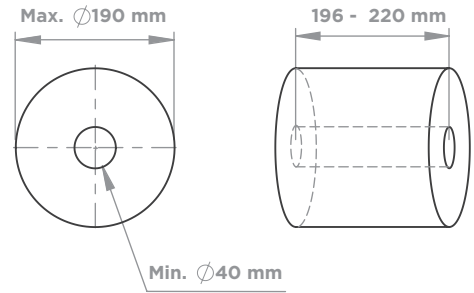
touchless roll towel dispenser



dimensions



roll paper dimensions



Type	Touchless
Item No	910603
Colour	White or Black
Plastic Material	ABS
Mounting Type	Wall mount
Packaging Dimensions (mm)	395 (l) x 260 (w) x 425 (h)
Gross Weight (kg)	2,8
Net Weight (kg)	2,52
Paper service length (cm)	20 - 36 (min. - max.)
Delay Time (sec)	1 - 4 (min. - max.)
Power supply	220-240 V / 50-60 Hz or Alkaline LR20 D Size Batteries (4 pcs.)
Battery Life	Up to 36.000 services
Case Quantity (pcs.)	1

always **clean**
always **fresh**

Netpak Elektronik Plastik Kozmetik Sanayi ve Ticaret Limited Şirketi
Atatürk Organize Sanayi Bölgesi Mahallesi 10044 Sokak No: 12 35620 Çiğli / İzmir
t. +90 232 461 41 17 / +90 216 593 14 20 / f. +90 232 461 52 73
carpex.com.tr