

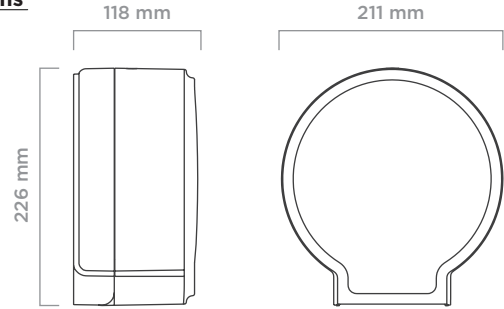
# C A R P E X

optima line

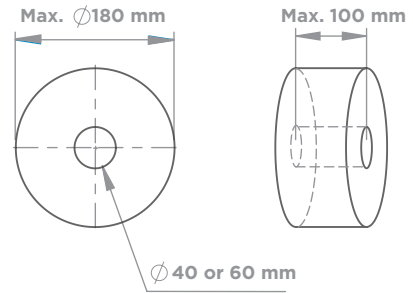
## jumbo toilet paper dispenser



### dimensions



### roll paper dimensions



Type	Manual
Item No	910611
Colour	White or Black
Plastic Material	ABS
Mounting Type	Wall mount
Packaging Dimensions (mm)	220 (l) x 126 (w) x 236 (h)
Gross Weight (kg)	0,6
Net Weight (kg)	0,5
Roll Dimensions (mm)	Max. 100 (w) x Max. Ø180, core diameter 40 or 60
Case Quantity (pcs.)	1

always **clean**  
always **fresh**

**Netpak** Elektronik Plastik Kozmetik Sanayi ve Ticaret Limited Şirketi  
Atatürk Organize Sanayi Bölgesi Mahallesi 10044 Sokak No: 12 35620 Çiğli / İzmir  
t. +90 232 461 41 17 / +90 216 593 14 20 / f. +90 232 461 52 73  
[carpex.com.tr](http://carpex.com.tr)