

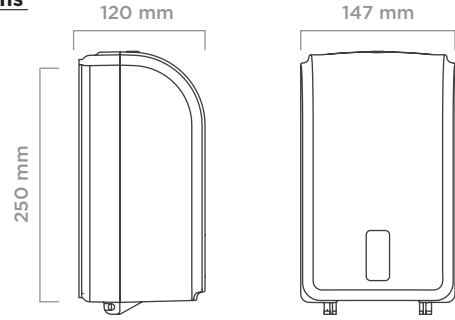
C A R P E X

optima line

c folded toilet paper dispenser



dimensions



Type	Manual
Item No	910612
Colour	White or Black
Plastic Material	ABS
Mounting Type	Wall mount
Packaging Dimensions (mm)	165 (l) x 130 (w) x 260 (h)
Gross Weight (kg)	0,6
Net Weight (kg)	0,5
Paper Volume	C-fold (2 packs.)
Case Quantity (pcs.)	1

always **clean**
always **fresh**

Netpak Elektronik Plastik Kozmetik Sanayi ve Ticaret Limited Şirketi
Atatürk Organize Sanayi Bölgesi Mahallesi 10044 Sokak No: 12 35620 Çiğli / İzmir
t. +90 232 461 41 17 / +90 216 593 14 20 / f. +90 232 461 52 73
carpex.com.tr