

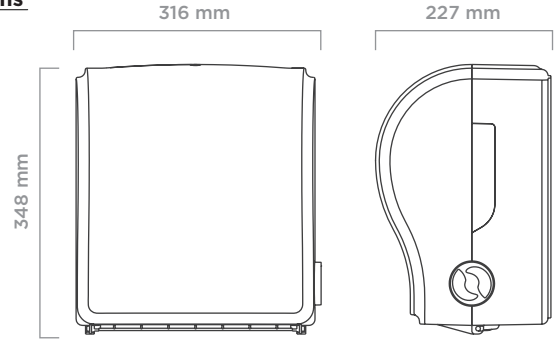
# C A R P E X

optima line

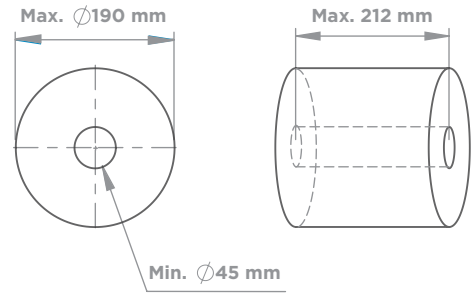
## autocut roll towel dispenser



### dimensions



### roll paper dimensions



Type	Manual
Item No	910602
Colour	White or Black
Plastic Material	ABS
Mounting Type	Wall mount
Packaging Dimensions (mm)	327 (l) x 256 (w) x 397 (h)
Gross Weight (kg)	2,75
Net Weight (kg)	2,5
Paper service length (cm)	24,5
Towel Roll Dimensions (mm)	Max. 212 (w) x Max. $\varnothing$ 190, core diameter min. 45
Case Quantity (pcs.)	1

always **clean**  
always **fresh**

**Netpak** Elektronik Plastik Kozmetik Sanayi ve Ticaret Limited Şirketi  
Atatürk Organize Sanayi Bölgesi Mahallesi 10044 Sokak No: 12 35620 Çiğli / İzmir  
t. +90 232 461 41 17 / +90 216 593 14 20 / f. +90 232 461 52 73  
[carpex.com.tr](http://carpex.com.tr)